

STRAIGHT-THROUGH DESIGN

RACE SERIES BULLET

- Aluminized and 409 Stainless steel construction
- Designed for vehicles with limited space
- Light weight compact design
- 100-percent welded construction for maximum durability
- CRF Technology provides up to a 4 dBa sound reduction, while maintaining a deep race tone (on most race applications)

RACE SERIES MINI BULLET

- 409 Stainless steel construction

Available in:

- 3.5-in. and 4-in. round mufflers
- 3.5-in. and 6-in. shell length
- 6.5-in. and 9-in. overall length
- 3-in., 3.5-in. and 4-in. inlet diameter
- 3-in. and 3.5-in. OD outlet diameter



RACE SERIES BULLET

PART NO.	DESCRIPTION	OVERALL LGTH.	SHELL LGTH.	INLET DIA.	OUTLET DIA.	MUFFLER DIA.
24215	Race Bullet Muffler	16.5-in.	12-in.	2.5-in. ID	2.5-in. ID	4-in. Round
24216	Race Bullet Muffler	16.5-in.	12-in.	3.5-in. ID	3.5-in. ID	5-in. Round
24217	Race Bullet Muffler	16.5-in.	12-in.	4-in. ID	4-in. ID	5-in. Round
24219	Race Bullet Muffler	23.5-in.	16-in.	3-in. ID	3-in. ID	4-in. Round
24222	Race Bullet Muffler	16.5-in.	12-in.	3-in. ID	3-in. ID	4-in. Round
24233 *	Race Bullet Muffler	21-in.	16-in.	5-in. ID	5-in. ID	6-in. Round
24234	Race Bullet Muffler	16.5-in.	12-in.	2.25-in. ID	2.25-in. ID	4-in. Round
24235	Race Bullet Muffler	23.5-in.	18-in.	2.25-in. ID	2.25-in. ID	4-in. Round
24236	Race Bullet Muffler	23.5-in.	18-in.	2.5-in. ID	2.5-in. ID	4-in. Round
24238	Race Bullet Muffler	18.25-in.	12-in.	3-in. ID	3-in. ID	4-in. Round
24243	Race Bullet Muffler	18-in.	14-in.	2-in. ID	2-in. ID	5-in. Round
24244	Race Bullet Muffler	18-in.	14-in.	2.25-in. ID	2.25-in. ID	5-in. Round
24245 *	Race Bullet Muffler	17.25-in.	12-in.	3.5-in. ID	4-in. ID	5-in. Round
24246 *	Race Bullet Muffler	16.5-in.	12-in.	2.5-in. ID	2.5-in. ID	4-in. Round
24247 *	Race Bullet Muffler	16.5-in.	12-in.	3.5-in. ID	3.5-in. ID	5-in. Round
24248 *	Race Bullet Muffler	16.5-in.	12-in.	3-in. ID	3-in. ID	4-in. Round

RACE SERIES MINI BULLET

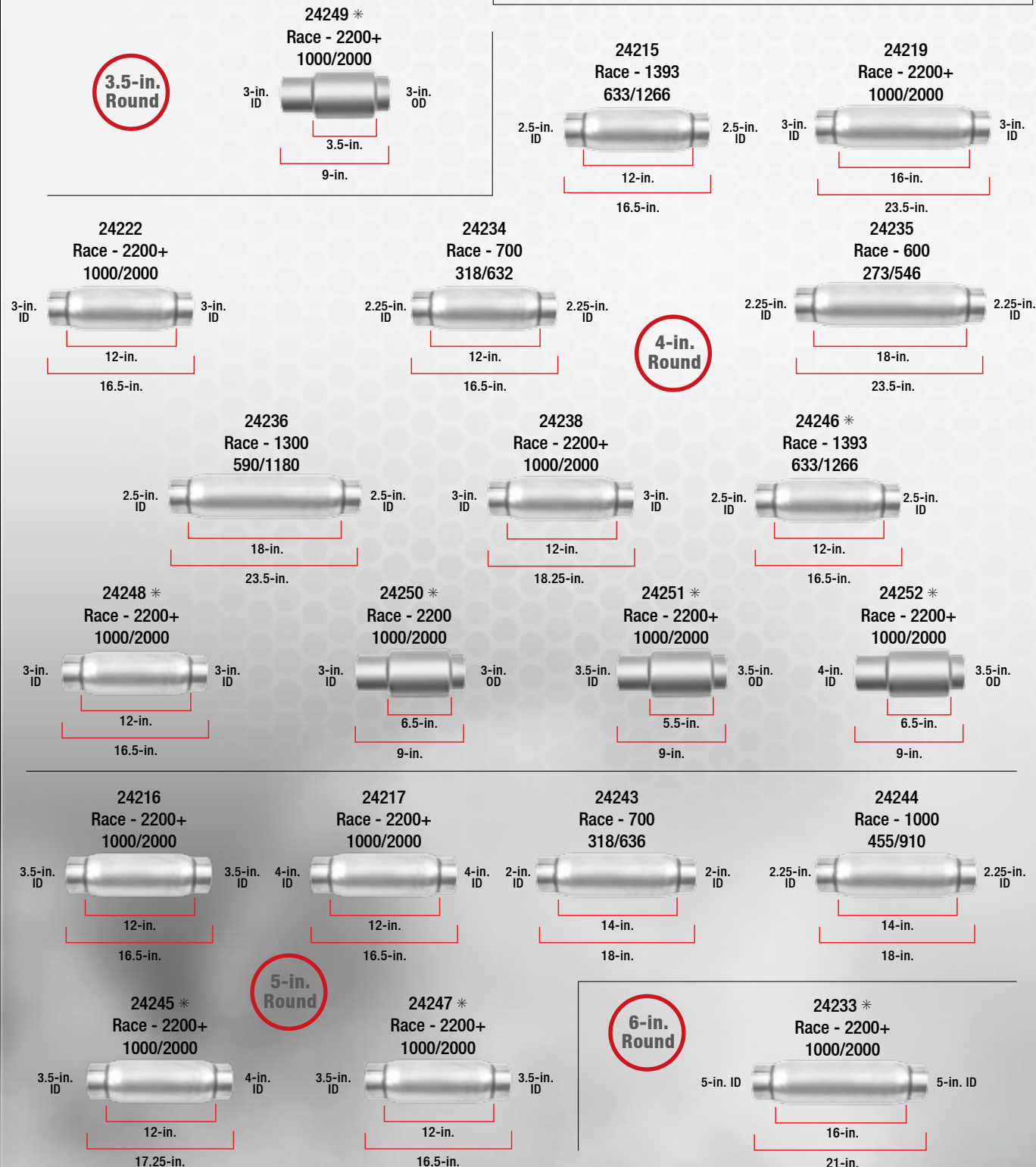
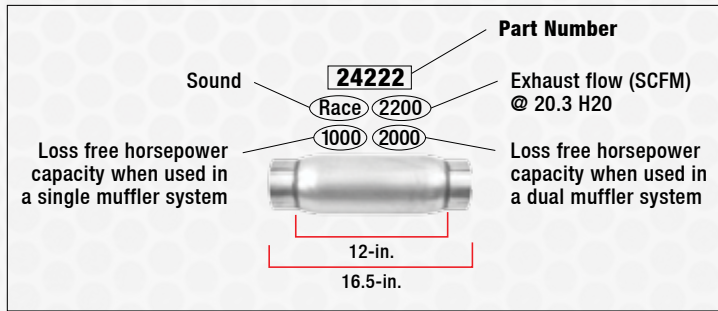
PART NO.	DESCRIPTION	OVERALL LGTH.	SHELL LGTH.	INLET DIA.	OUTLET DIA.	MUFFLER DIA.
24249 *	Mini Race Bullet Muffler	6.5-in.	3.62-in.	3-in. ID	2.3-in. OD	3.5-in. Round
24250 *	Mini Race Bullet Muffler	9-in.	6.5-in.	3-in. ID	3-in. OD	4-in. Round
24251 *	Mini Race Bullet Muffler	9-in.	5.80-in.	3.5-in. ID	3.5-in. OD	4-in. Round
24252 *	Mini Race Bullet Muffler	9-in.	7.5-in.	4-in. ID	3.5-in. OD	4-in. Round

* Stainless Steel Construction.

RACE BULLET MUFFLERS

- Compact, round design for tight ground clearance
- Light weight construction
- Maximum flow, minimum sound control
- 2 - 4 dbA reduction compared to straight pipe

THE ULTIMATE RACE MUFFLER!!!



* For sound trial and other information visit dynamax.com

+ Flowed in excess of number shown. * Stainless steel construction. All measurements are in inches.

PERFORMANCE AND SOUND GUARANTEE

We challenge you to try our DynoMax® performance mufflers* risk-free for 90 days - if our products* don't meet the challenge, call us for your money back.

90-DAY RISK FREE TRIAL

Try qualifying DynoMax® products* for 90 days. We guarantee you'll experience the DynoMax® performance difference! If, for any reason, the qualifying products* don't live up to your expectations within the first 90 days, replace the products and we will refund your original product's purchase price (which shall not exceed the manufacturer's suggested retail price), plus labor (up to \$50 per exhaust system). We're that confident you will be satisfied with DynoMax® performance products! For questions about this offer, please contact our customer service department at 734-384-7898.

*Offer limited to the purchase of DynoMax® Stainless Steel Cat-Back Systems and Ultra Flo™ SS Polished, Ultra Flo™ Welded, DynoMax® VT® or Super Turbo™ performance muffler. This offer does not include products which have been modified, improperly applied or installed on vehicles used for commercial or racing purposes. Valid only on vehicles used for private, non-commercial use and may be withdrawn at any time.

LIMITED LIFETIME WARRANTY LIMITED TO QUALIFYING DYNAMAX PRODUCTS ONLY

Tenneco Inc. warrants qualifying DynoMax® products against defects and wear-out when used on private passenger cars and light trucks under normal operating conditions for as long as such original purchaser owns the vehicle on which they were originally installed.

LIMITED LIFETIME WARRANTY QUALIFYING PRODUCTS

- DynoMax® VT® Mufflers
- DynoMax® Ultra Flo™ SS Polished Mufflers
- DynoMax® Ultra Flo™ Welded Mufflers
- DynoMax® Super Turbo™ Mufflers
- DynoMax® Stainless Steel (38XXX and 39XXX Series) Systems

Tenneco's obligation under the Limited Lifetime Warranty and 90-Day Limited Warranty is limited to replacement of the worn-out or defective product with the same (or substantially comparable) product in accordance with this warranty. Cost of removal and installation are not included, and any incidental and consequential damages are excluded under this warranty, regardless of when the failure occurs. These warranties have no cash value. The warranties no apply to products which have been modified, improperly applied or installed on vehicles used for commercial or racing purposes.

To make a claim under the applicable warranty, return the worn-out or defective product with the dated original receipt to the dealer from whom it was purchased or to a Tenneco dealer for verification and exchange under the warranty.

The applicable warranty gives you specific legal rights, and you may also have other rights, which vary from state to state. Any implied warranties you may have under state law are limited to the same duration as this warranty. Some states do not allow limitations on how long an implied warranty lasts or do not allow the exclusion or limitation or consequential damages, so the above limitations and exclusion may not apply to you.

Tenneco will contact warranty-serviced consumers to conduct customer satisfaction surveys relating to product and warranty service. Survey activity will provide valuable feedback and help measure the level of consumer satisfaction in different markets.

Information or assistance regarding a warranty claim may be obtained by writing:
 Warranty Department / Tenneco
 One International Drive
 Monroe, MI 48161
 or by calling: 1 (734) 384-7898